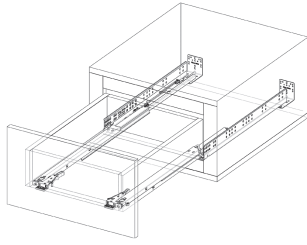
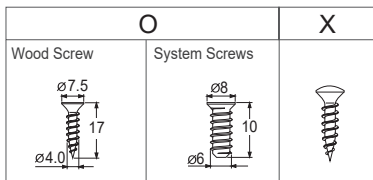
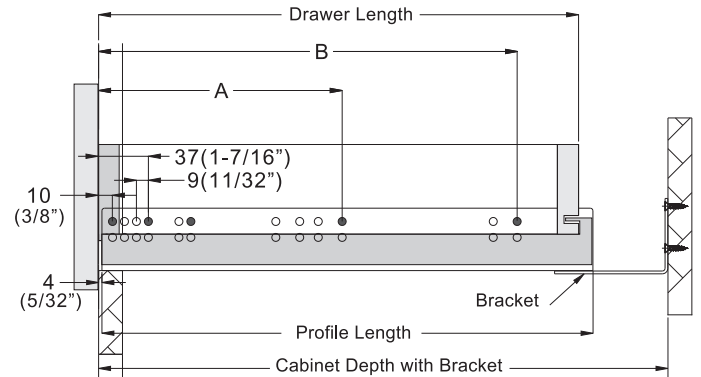
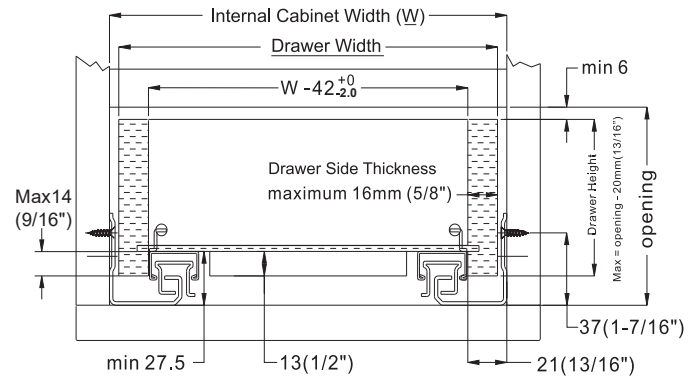
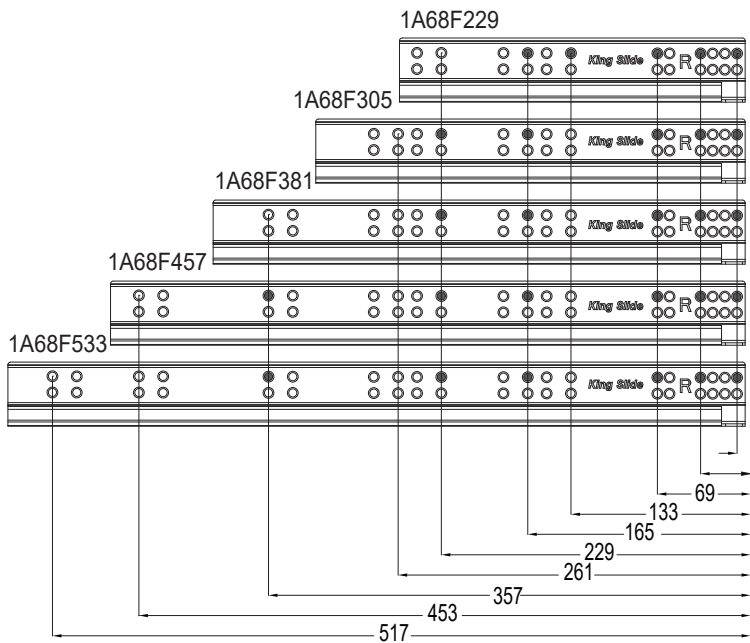


Specifications



- Length: 229 / 305 / 381 / 457 / 533mm
9" / 12" / 15" / 18" / 21"
- Travel: Full Extension
- Maximum Drawer Side Thickness: 16mm
- Max. Load Capacity: 45 kg(100 lb)/pair
- Mount: Undermount
- Material: Galvanized Steel
- Height Adjustment: +3.5mm

Dimensional Specifications



Drawer Width Formula	
Drawer Side Thickness mm (inch)	"W" minus mm (inch)
16 (5/8")	10 (3/8")
15 (19/32")	12 (15/32")
14 (9/16")	14 (9/16")
13 (1/2")	16 (5/8")
12 (15/32")	18 (23/32")

W: Internal Cabinet Width

Example:

Internal Cabinet Width = 457 mm (18")
 Drawer Side Thickness = 13 mm (1/2")
 Drawer Width = 457 - 16 = 441⁺⁰/_{-2.0} mm
 = (18") - (5/8") = 17-3/8"

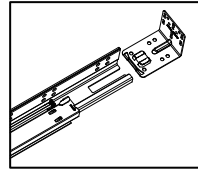
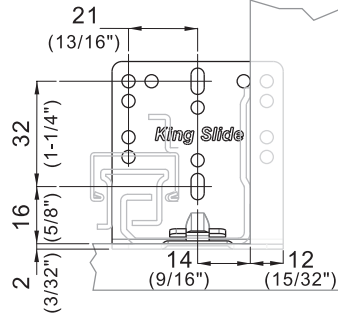
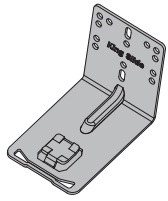
Item No.	Drawer Length mm (inch)	Overall Cabinet Depth mm (inch)	Cabinet Depth With Bracket mm (inch)		Profile Length mm (inch)	System Screw Locations mm (inch)	
			MAX	MIN		A	B
1A68F229	229 (9")	305 (12")			256 (10-1/16")	133 (5-1/4")	229 (9")
1A68F305	305 (12")	381 (15")	369 (14-9/16")	326 (12-7/8")	318 (12-1/2")	165 (6-1/2")	261 (10-1/4")
1A68F381	381 (15")	457 (18")	446 (17-9/16")	403 (15-7/8")	394 (15-1/2")	165 (6-1/2")	357 (14-1/16")
1A68F457	457 (18")	533 (21")	522 (20-9/16")	479 (18-7/8")	470 (18-1/2")	261 (10-1/4")	453 (17-13/16")
1A68F533	533 (21")	610 (24")	598 (23-9/16")	555 (21-7/8")	546 (21-1/2")	261 (10-1/4")	517 (20-3/8")

Fit with American standard 3" cabinet depth system.

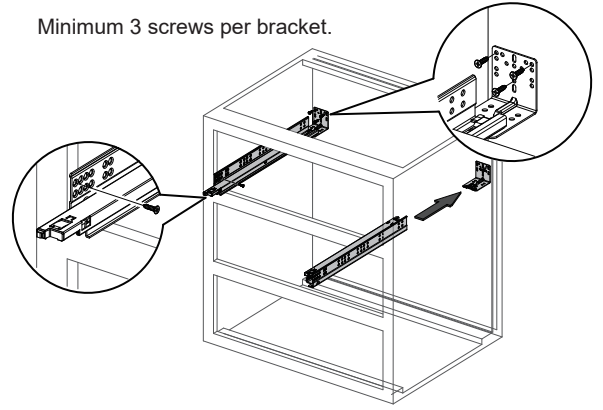
W: Internal Cabinet Width DL: Drawer Length X: Drawer Front Thickness L: Slide Length IDL: Internal Drawer Length

Drawer Installation

1



Minimum 3 screws per bracket.



Locking Device Installation

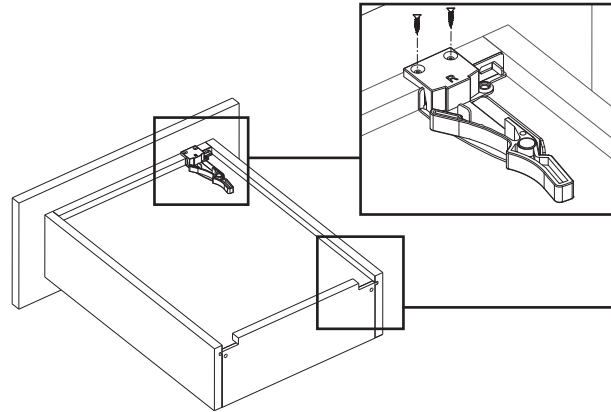
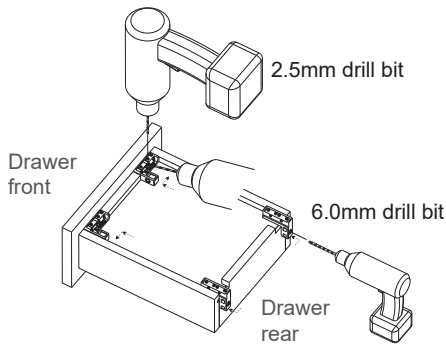
Drilling template (Optional)

2

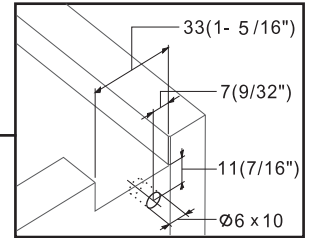
Optional Assembly Aid



FL00ZD0-A

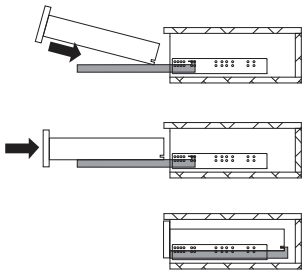


Locking Device and Extension Plastic



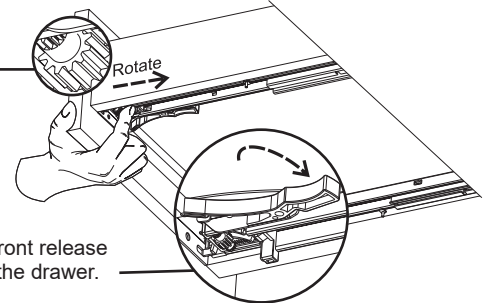
Drawer Installation

3



Tool-less Adjustment

Simply rotate the wheel at the front bottom of the drawer to adjust the drawer height.



Simply press the front release device to remove the drawer.

Quality Warranty Letter

King Slide provides a 3 year limited Lifetime Warranty for our drawer runners contained in this product, but not the product itself, against defects in material and workmanship, as determined by King Slide. This limited warranty does not cover any damage to this product that results from improper installation, accident, abuse, misuse, natural disaster, or exposed to excessive loads, abnormal environmental conditions, or any unauthorized disassembly, repair, modification or usual and customary wear. This warranty is a warranty for replacement only. King Slide will send a new King Slide drawer runner to the original consumer purchaser for a Shipping and Handling Fee currently in effect. The warranty does not cover the cost of removal or reinstallation of the defective drawer runner.

In the event King Slide discontinues the production of the purchased drawer runner, King Slide reserves the right to replace the defective drawer runner with a reasonably equivalent product. No guarantee of interchangeability is offered. The warranty does not apply to a discontinued product if at King Slide's discretion a comparable product is not available.

To obtain a replacement within 30 days of discovery of defect, remove the defective drawer runner and mail it to postage pre-paid to :

KING SLIDE USA, INC.
Customer Service Department
12989 Bellaire Blvd#8,
Houston, TX 77072

Please enclose a copy of your proof of purchase and a brief letter states your name, address and phone number (including area code) with the item along with a description of the problem. State law requires that items be clean before being returned for repair or replacement.

The current Shipping and Handling fees are settled on \$15.00 for up to six (6) replacement sets of drawer runners or hinges. Each addition sets of drawer runners will be charged for additional Shipping and Handling Fee of \$2.00 per set (2 pieces).

For example, 8 replacement sets of drawer runners would require \$19 Shipping and Handling Fee. For the Shipping and Handling fees of replacement a check or a Money Order in the correct amount is required. Shipping and Handling fees are non-refundable.

ALL WARRANTIES IMPLIED BY STATE LAW, INCLUDING THE IMPLIED WARRANTIES OF MERCHANTABILITY AND FITNESS FOR A PARTICULAR PURPOSE, ARE EXPRESSLY LIMITED AS SET FORTH ABOVE. However, some states do not allow limitations on how long an implied warranty lasts, so the above limitation may not apply to you. WITH THE EXCEPTION OF ANY WARRANTIES IMPLIED BY STATE LAW AS HEREBY LIMITED, THE FOREGOING EXPRESS LIMITED WARRANTY IS EXCLUSIVE AND IN LIEU OF ANY OTHER WARRANTIES OF KING SLIDE WITH RESPECT TO THE REPAIR OR REPLACEMENT OF ANY PROPS OR PARTS. IN NO EVENT SHALL KING SLIDE BE LIABLE FOR CONSEQUENTIAL OR INCIDENTAL DAMAGES RESULTING FROM THE USE, INSTALLATION, PERFORMANCE OR FAILURE OF ITS PRODUCT. However, some states do allow the exclusion of limitation of incidental or consequential damages, so the above exclusion may not apply to you. This limited warranty gives you specific legal rights, and you may also have other rights which vary from state to state.